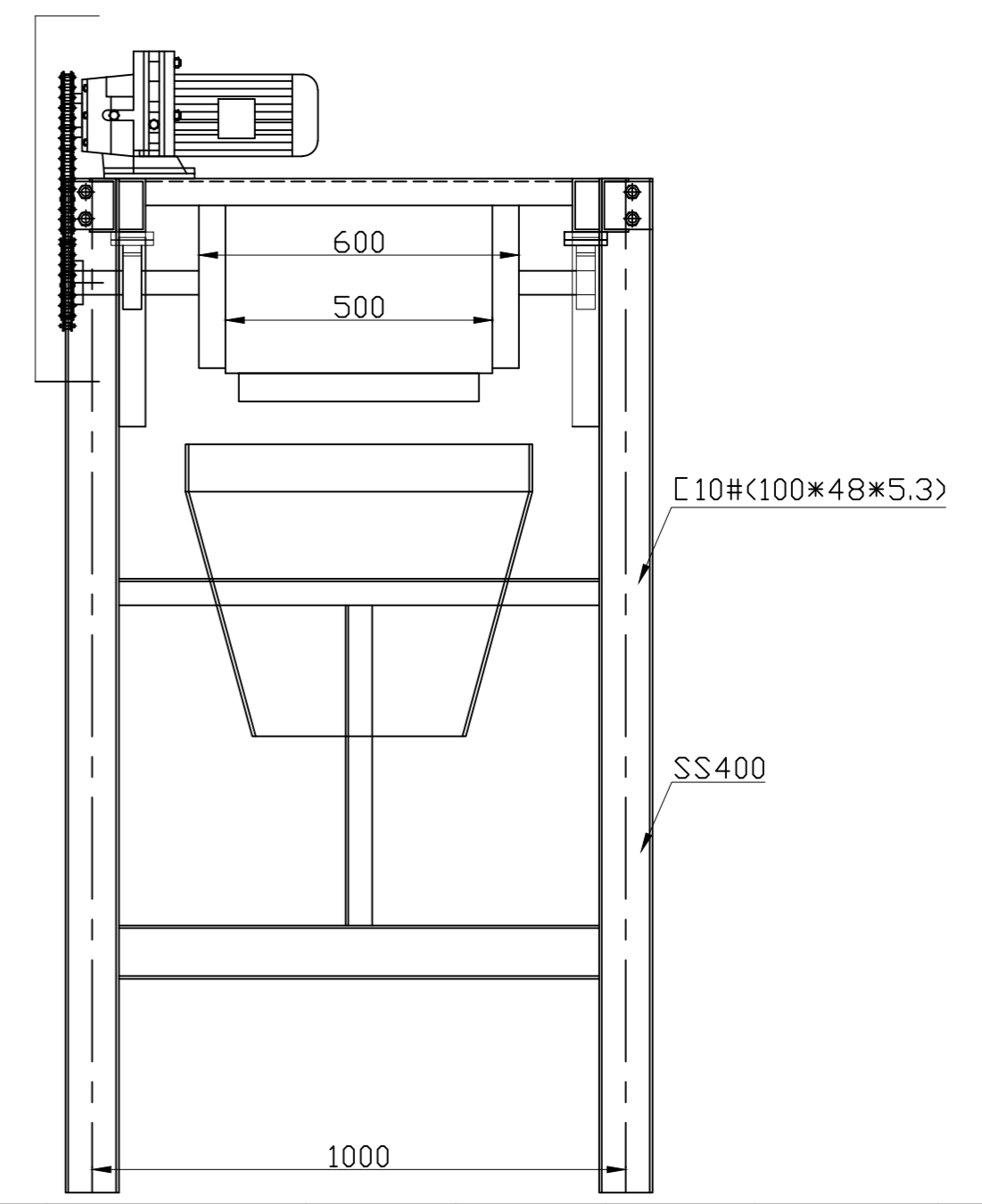
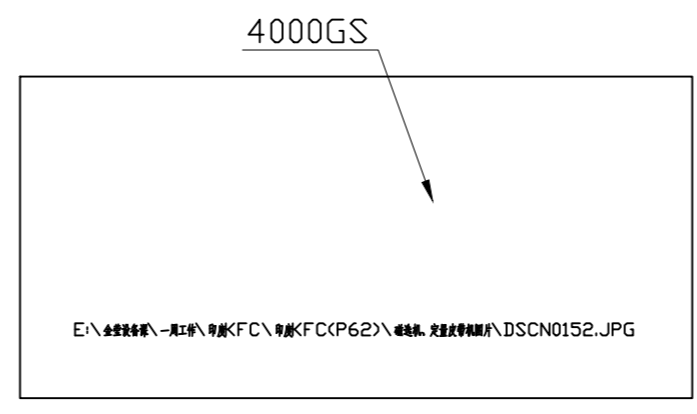
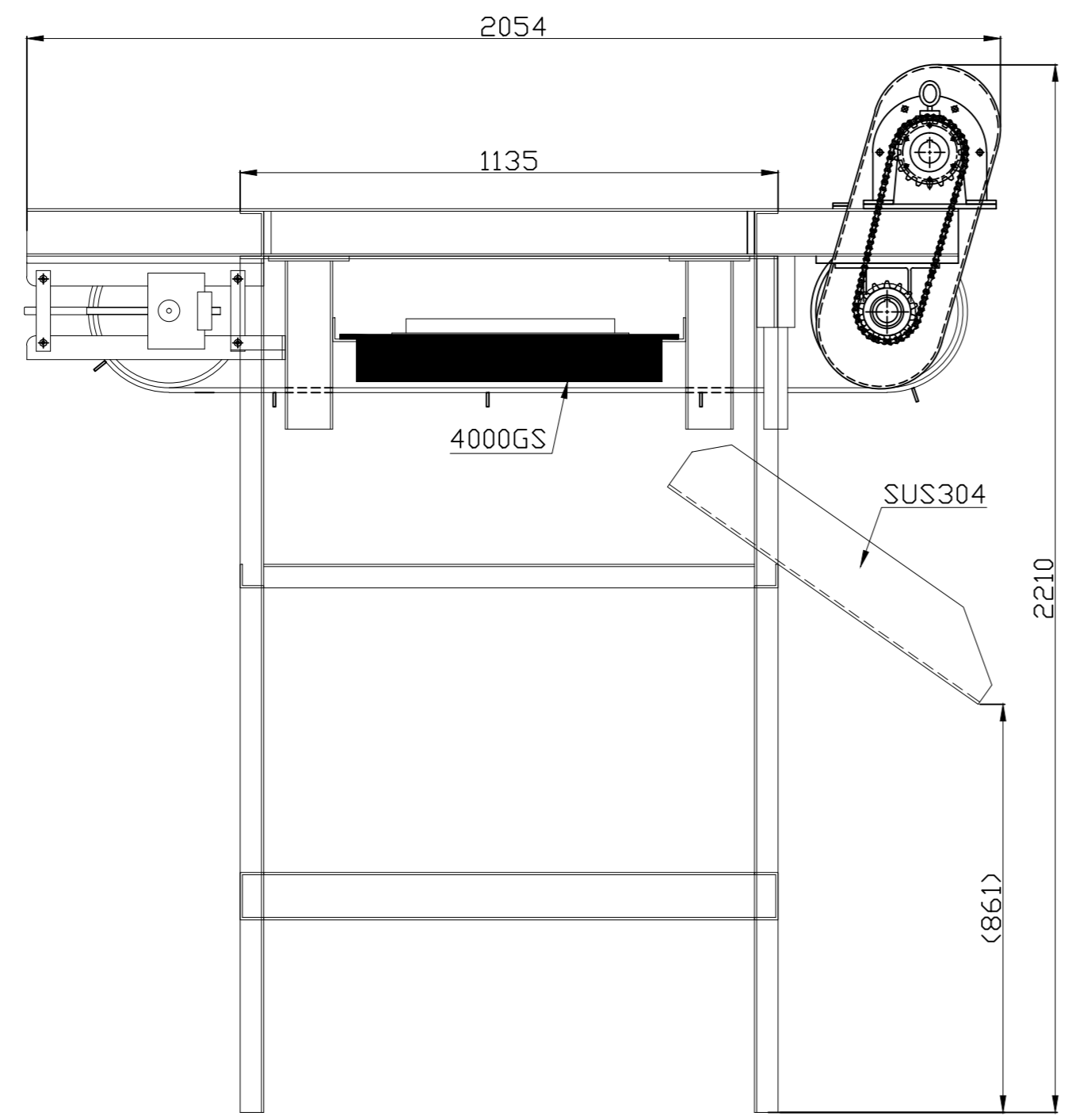
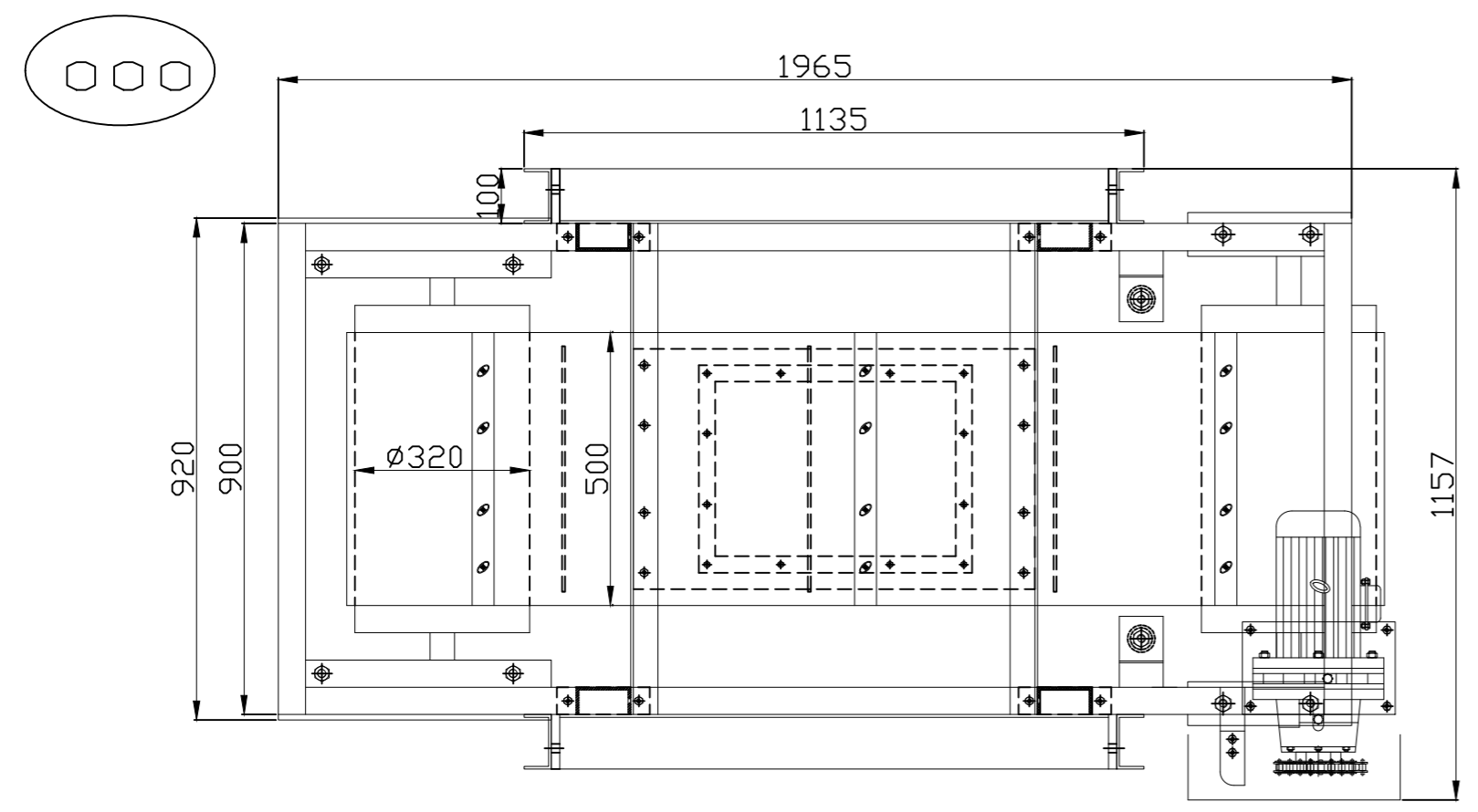


加工品检，有疑必问！

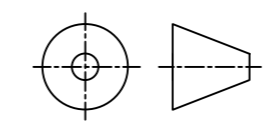
仅供参考

Technical parameters	
Motor reducer brands	SEW
Power	2.2kw
Equipment Type	S995
Belt width	500mm
Permanent magnetic specifications	Ø320.4000GS
Conveyor speed	0.6m~0.8m/sec

Material: SS400+SUS304
Qty: 1pcs



OWNER	DATE	DRAWN BY	CHECKED BY	EXAMINED BY	SCALE	Q'TY	
							金莹铸造材料有限公司
CHIN YING FOUNDRY MATERIAL CO.,LTD		DWG NAME		设备名称: Magnetic separator3#			
		DWG NUMBER		部品名称: Assembly diagram			
		图号		□□□□			



第3角法