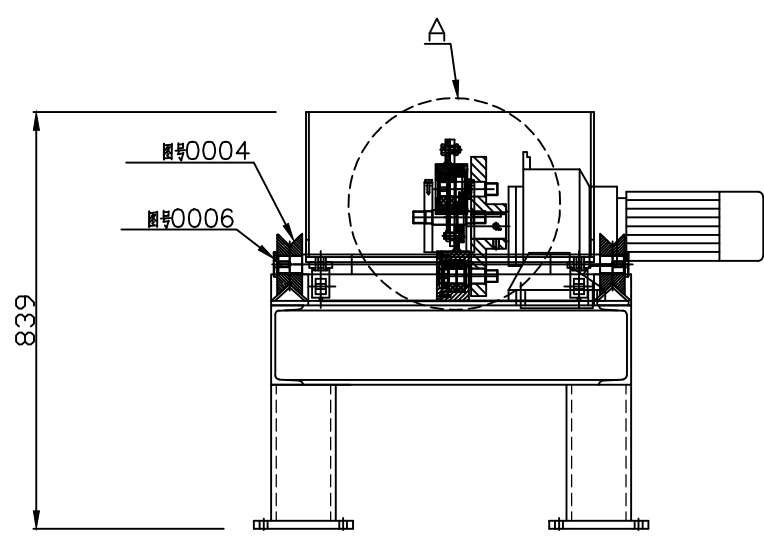
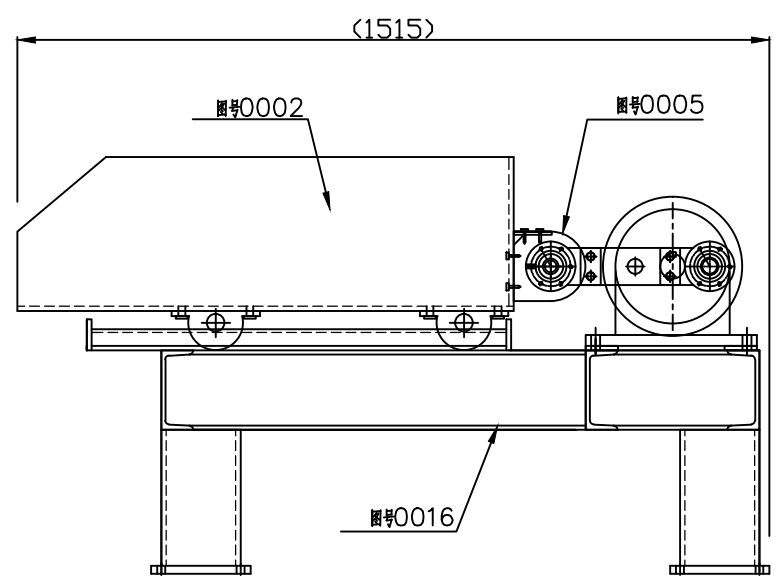


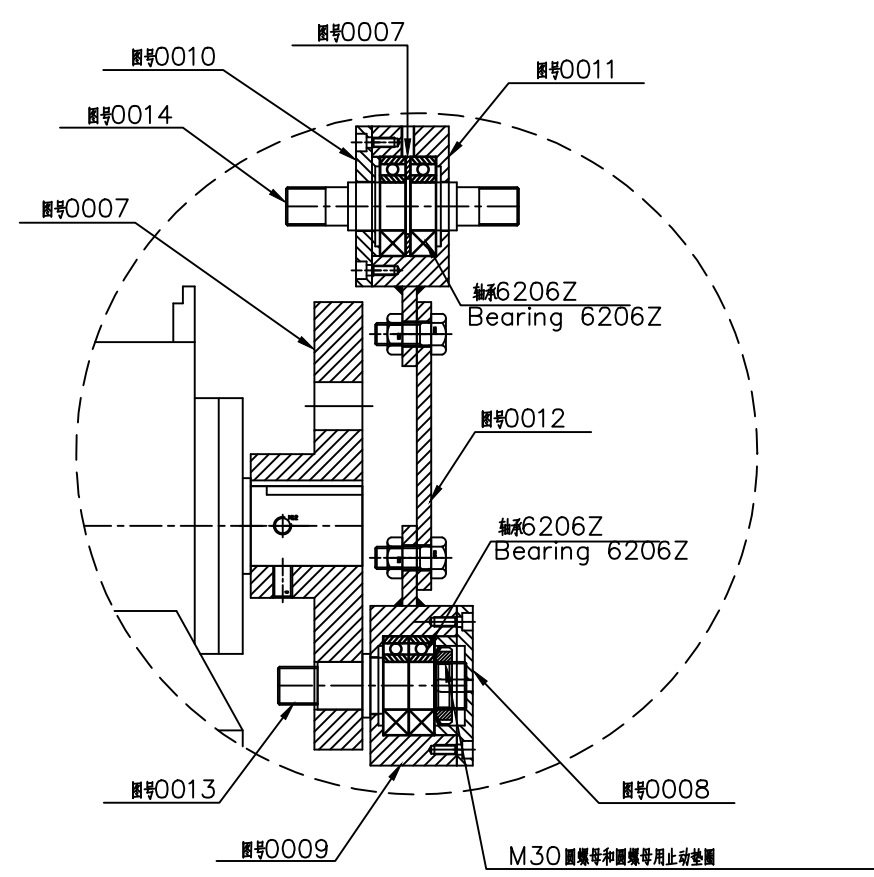
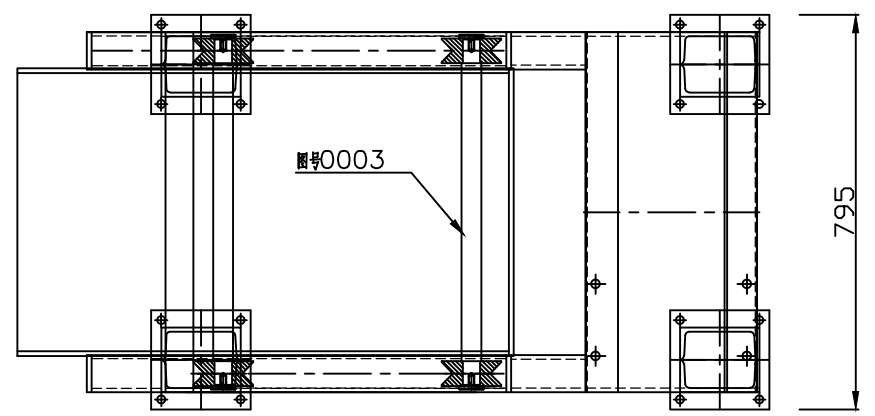
001

加工品检，有疑必问！

仅供参考



Technical parameters	
Motor reducer brands	SEW
Power	2.2kw
Speed	2.5R.P.M~12R.P.M
Frequency converter	



DATE	DRAWN BY	CHECKED BY	EXAMINED BY	SCALE	Q'TY
13.09.27	钟光艳			1:1	件
OWNER 金莹铸造材料有限公司 CHIN YING FOUNDRY MATERIAL CO.,LTD			DWG NAME 设备名称: Feed hopper1#system B 部品名称: Assembly diagram DWG NUMBER 图号 0001		