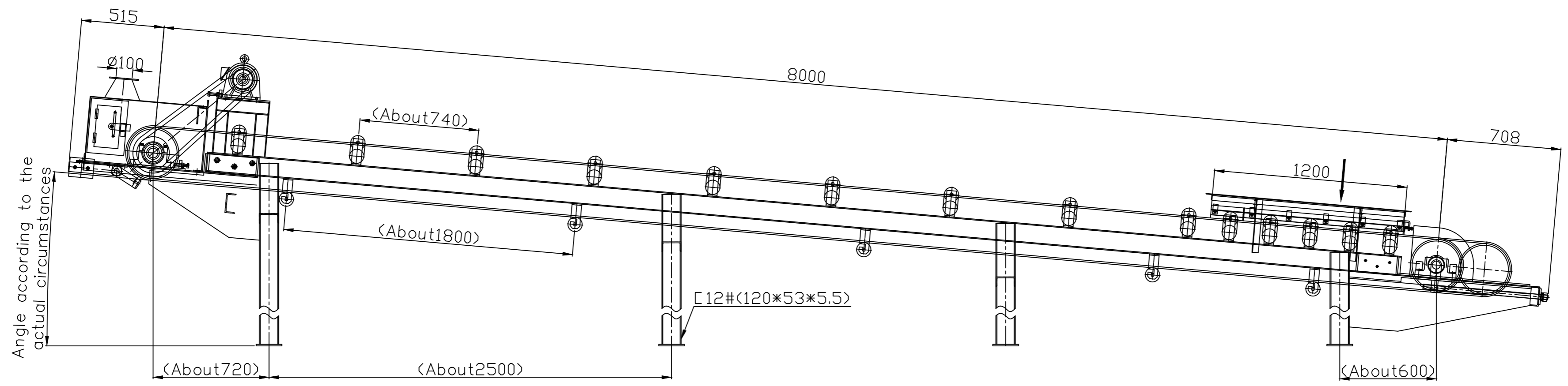
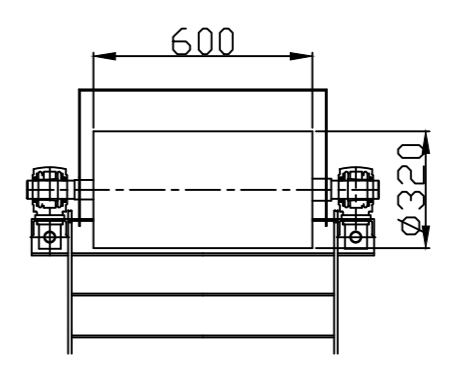
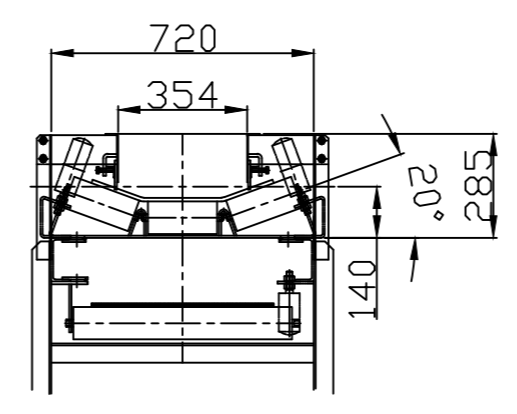
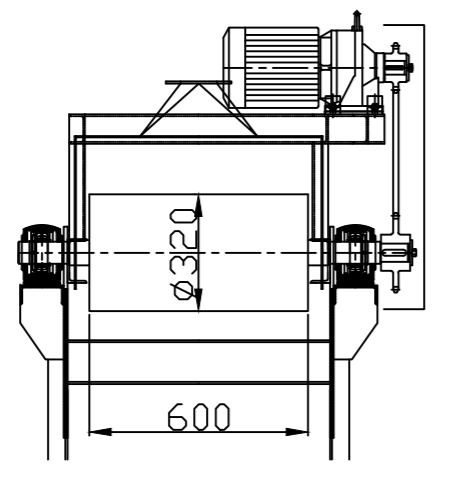


加工品检，有疑必问！

000



Material: SS400



仅供参考

Technical parameters		NO	Name					Length		
Motor reducer brands	SEW	2	Belt conveyor					8M		
Power	2.2kw									
Belt width	500mm									
Roller specifications	φ320mm									
Conveyor speed	0.6m~									
Belt Thickness	φ8mm									
Material	Rubber									
Heat Temperature	Not more than 80℃									
			第三角法		DATE	DRAWN BY	CHECKED BY	EXAMINED BY	SCALE	Q'TY
					13.10.08	钟光艳			1:1	件
			金莹铸造材料有限公司 CHIN YING FOUNDRY MATERIAL CO.,LTD			设备名称: Belt conveyor2# 部品名称: Assembly diagram				
			图号			0000				