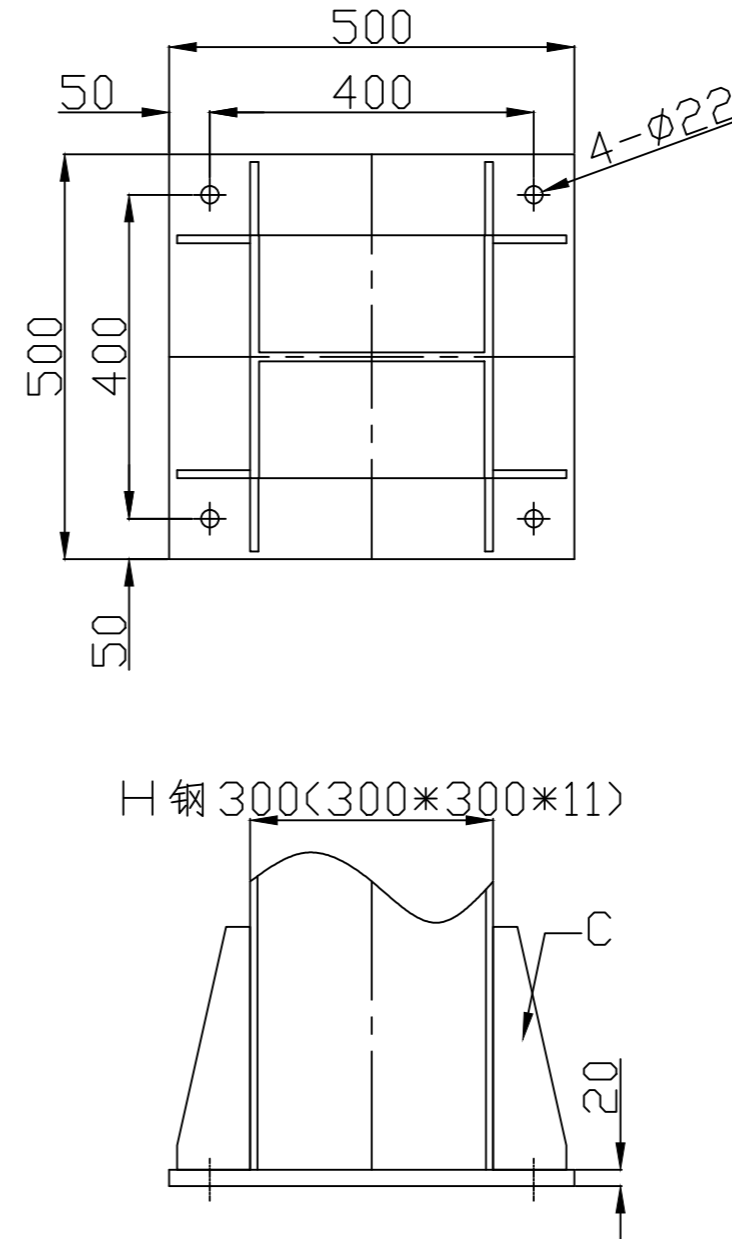
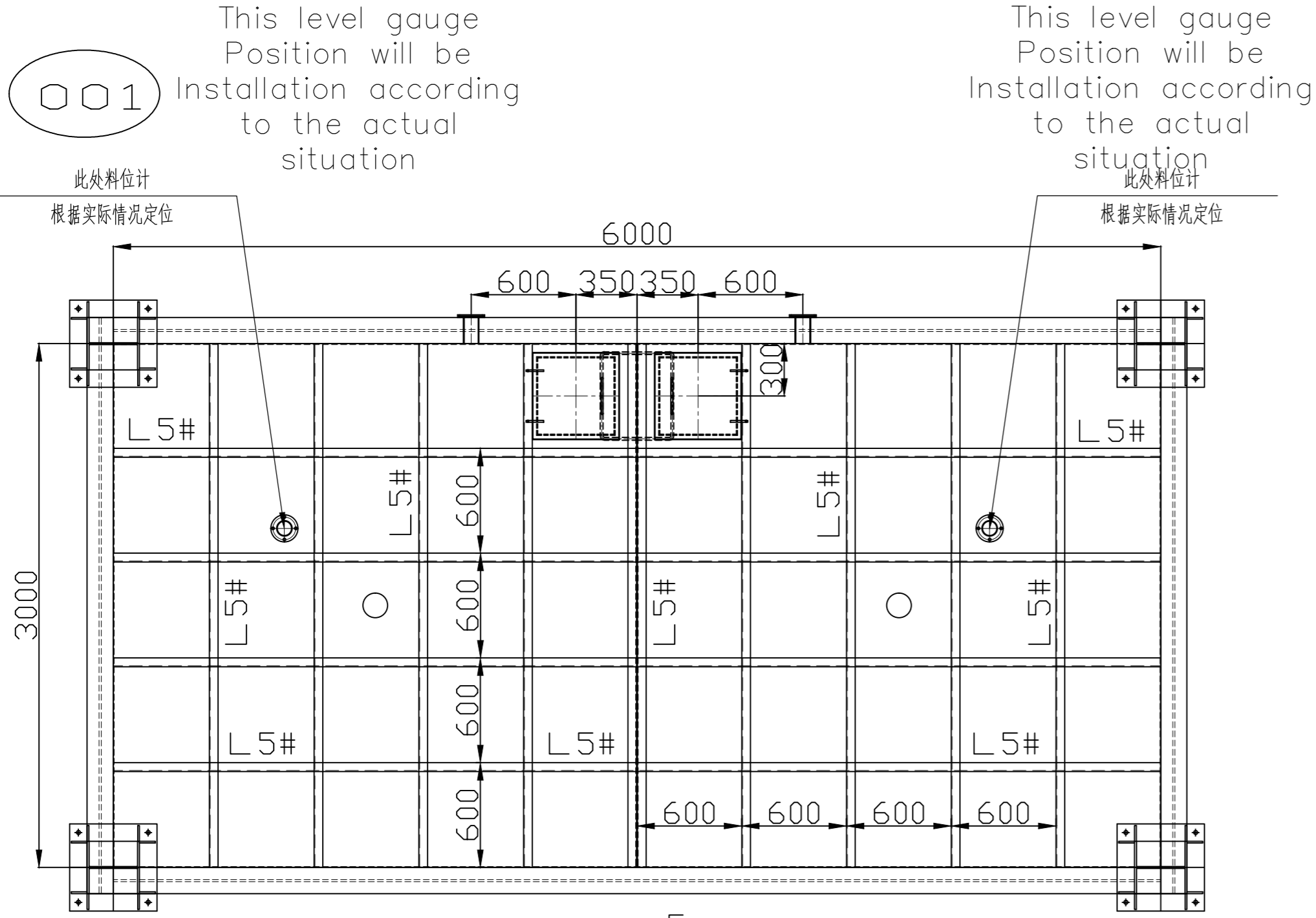


加工品检，有疑必问！

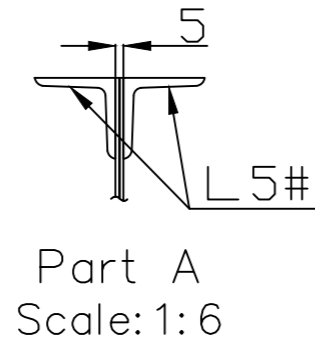
Level gauge technical parameters



Part B
Scale: 3:1
4pcs

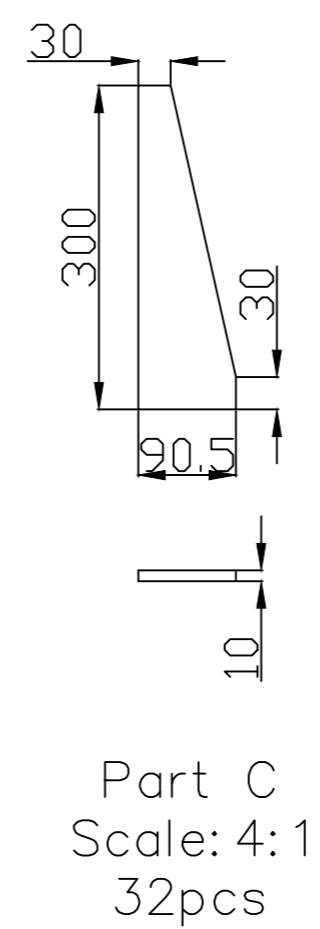
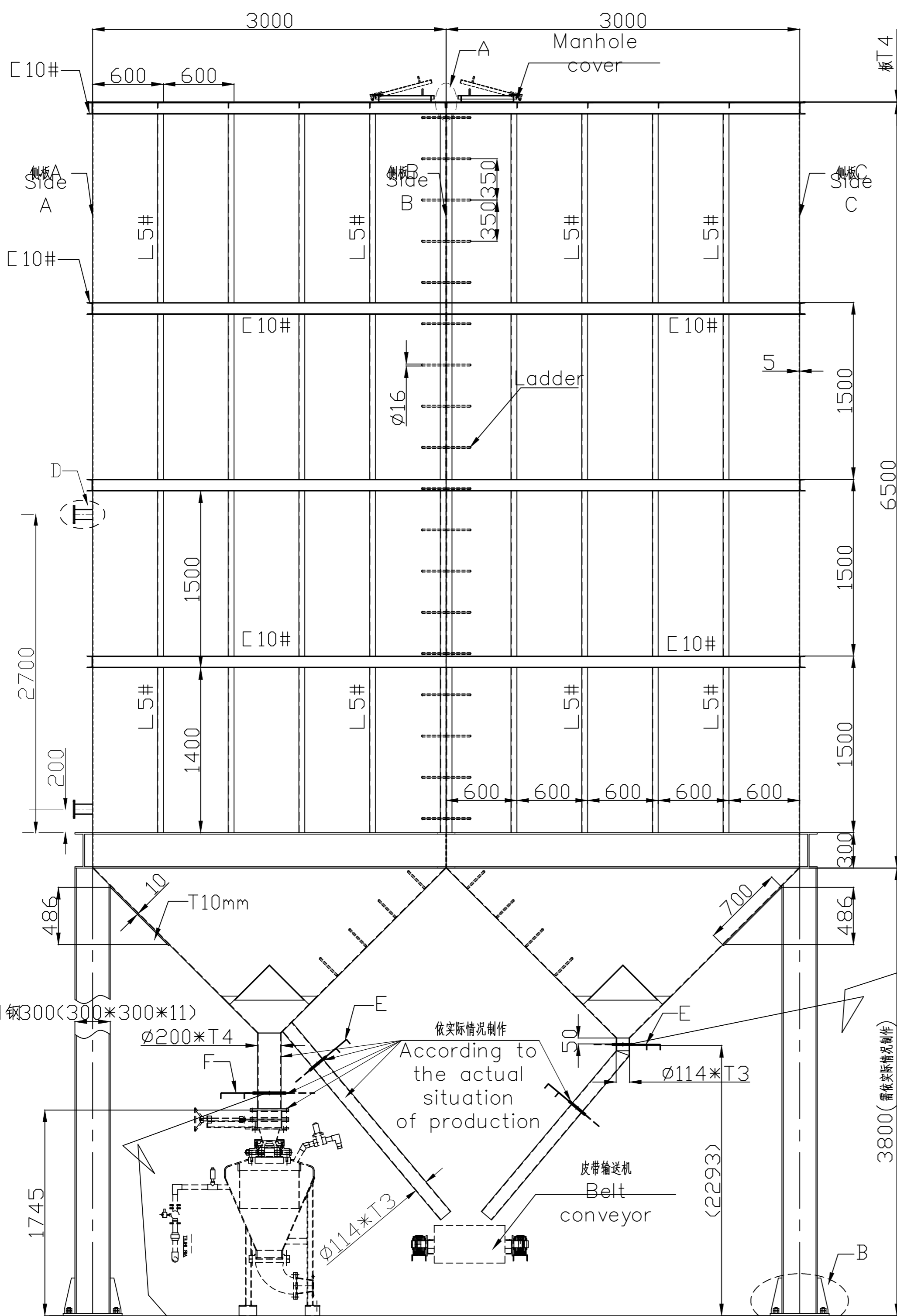
E:\金莹铸造材料\一厂工程\04\FC\物料清单\物料清单\物料清单\20130730082112.jpg

Note:
C10#(100*48*5.3)
L5#(50*50*5)

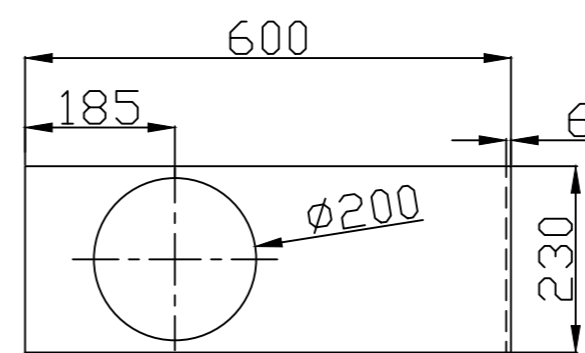


Part A
Scale: 1:6

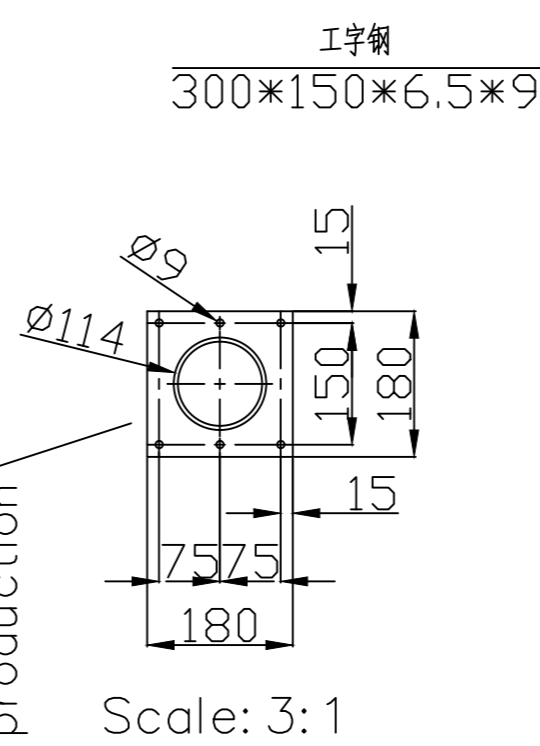
Material: SS400
Qty: 1pcs



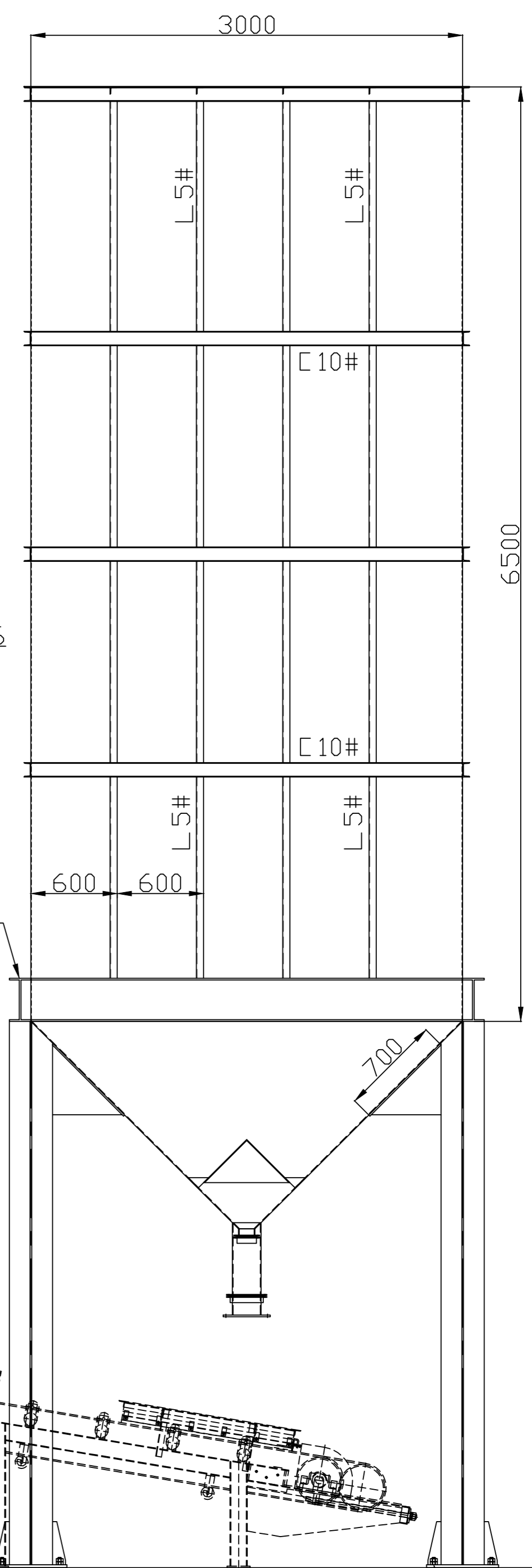
Part C
Scale: 4:1
32pcs



Part F
Scale: 3:1



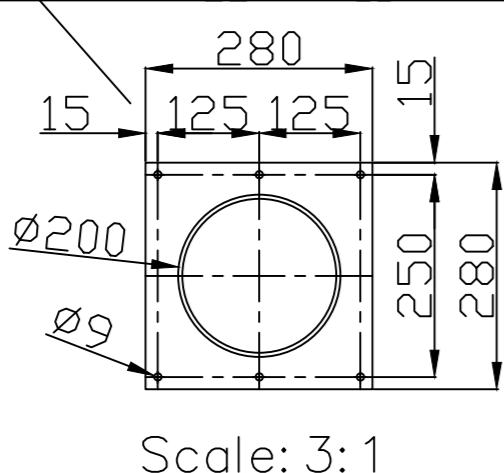
Scale: 3:1



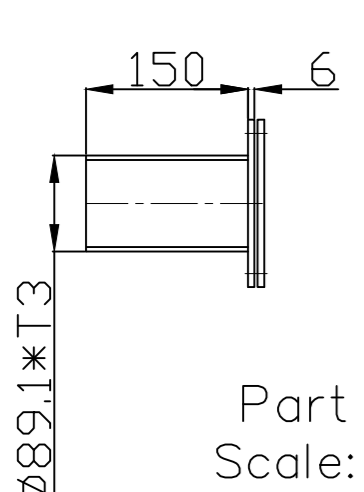
注：侧板A、侧板B、侧板C，都需要进行加固。如上图所示。

Note: side A, side B, side C Are required to be reinforced. As shown above.

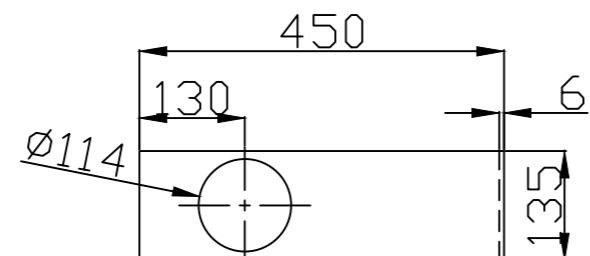
Anchor bolts M20*16pcs



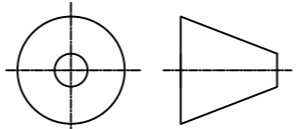
Scale: 3:1



Part D
Scale: 4:1



Part E
Scale: 3:1

 第3角法 OWNER 金莹铸造材料有限公司 CHIN YING FOUNDRY MATERIAL CO.,LTD	DATE	DRAWN BY	CHECKED BY	EXAMINED BY	SCALE	Q'TY
	13.09.27	钟光艳			1:1	件
	DWG NAME	设备名称: Sand storage11# 部品名称: Assembly diagram				
	DWG NUMBER	图号	0000			