

加工品检，有疑必问！

Level gauge
technical
parameters

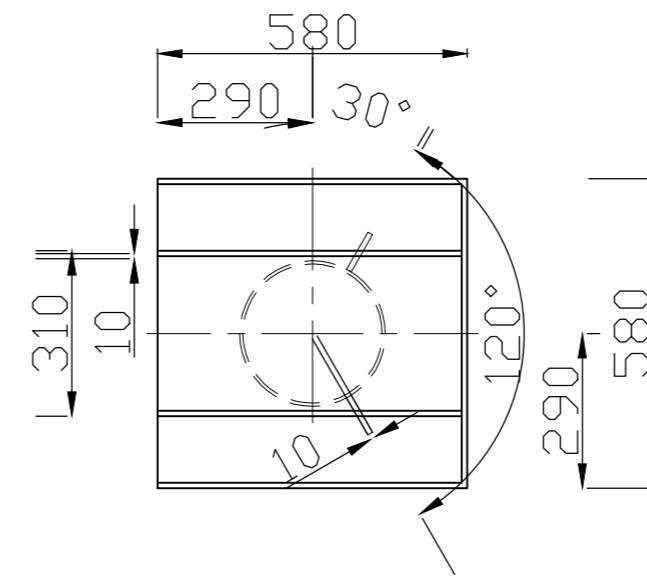
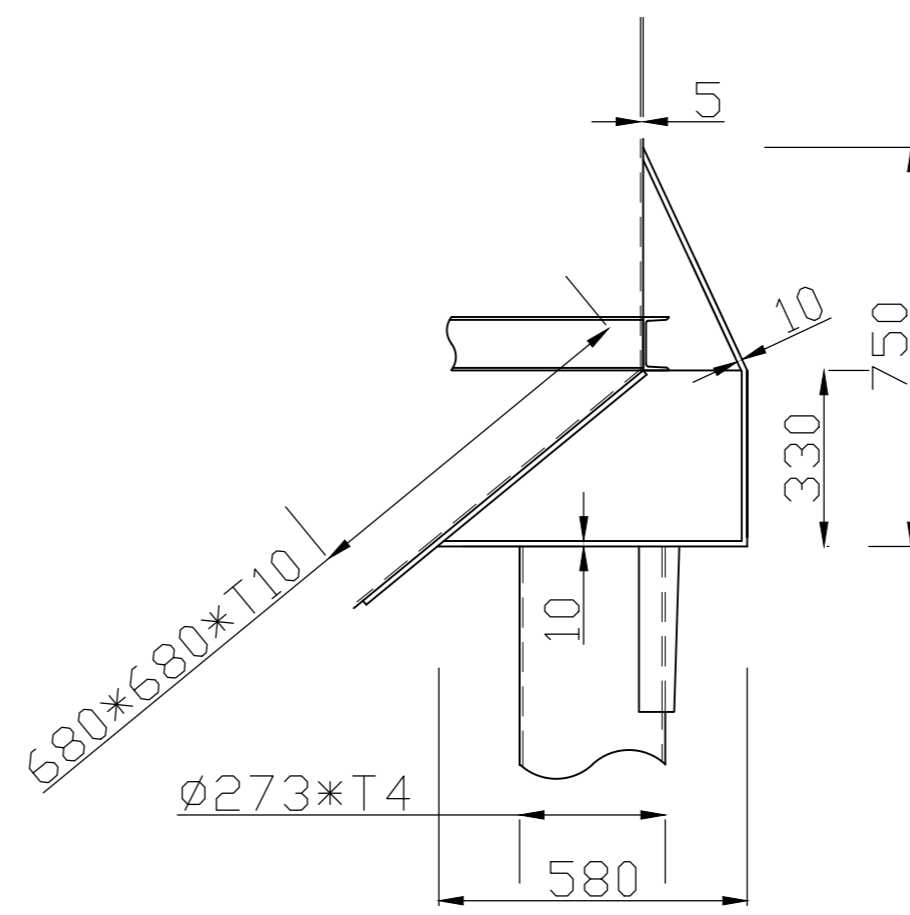
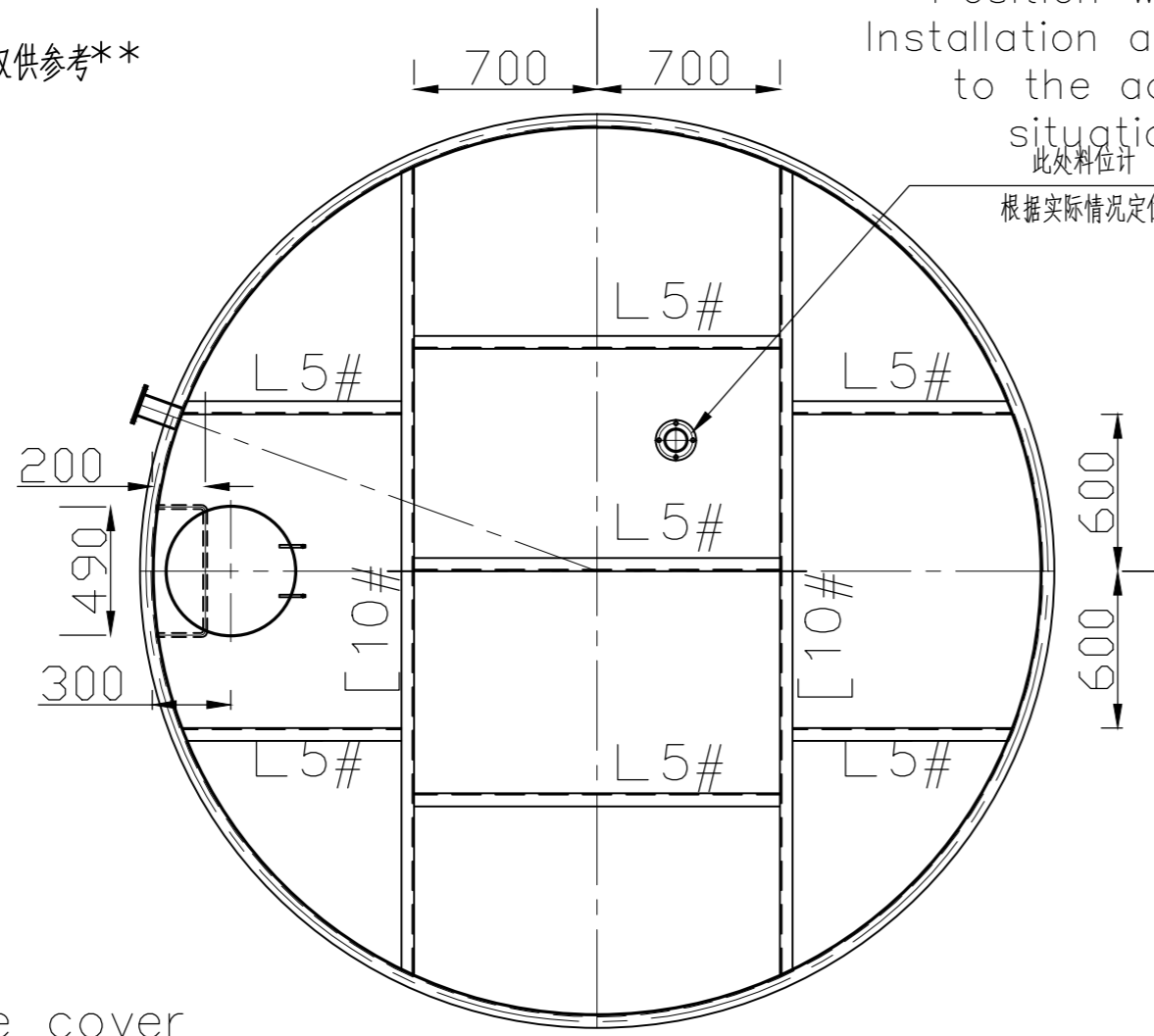
E:\金莹铸造材料\一用工程\000\FC\外购品图样\最新标准技术参数\20130730082112.jpg

001

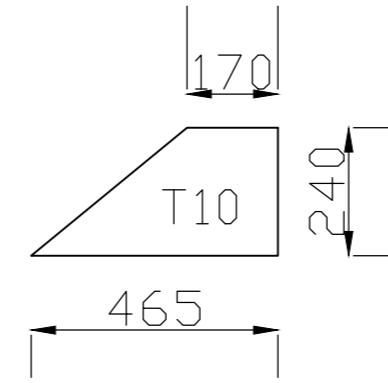
仅供参考

This level gauge
Position will be
Installation according
to the actual
situation
此表按设计
根据实际情况定位

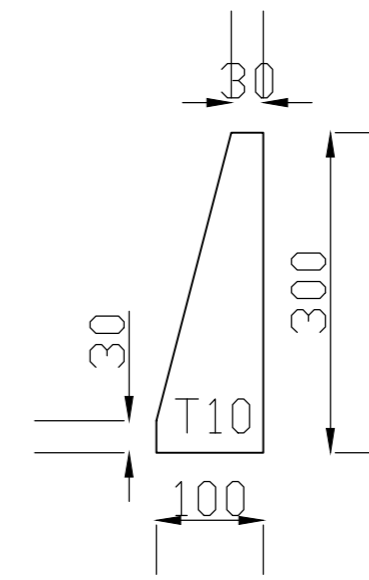
Note:
[10#(100*48*5.3)
L5#(50*50*5)



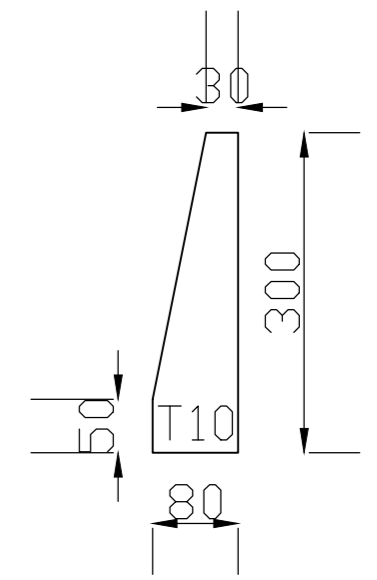
Part A
Scale: 2:1



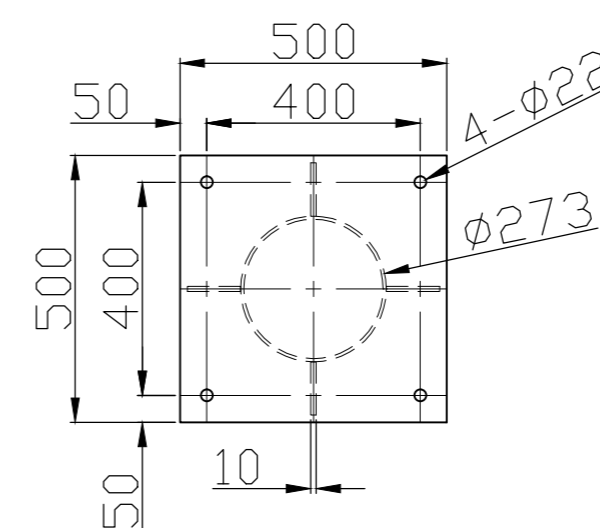
Part B
4pcs
Scale: 2:1



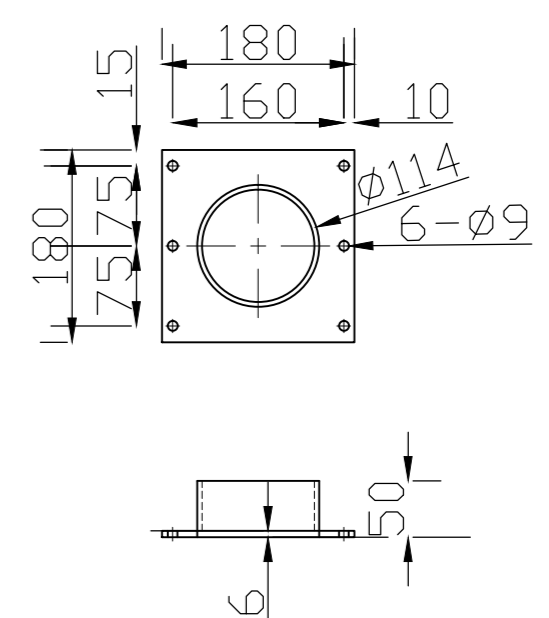
Part C
16pcs
Scale: 4:1



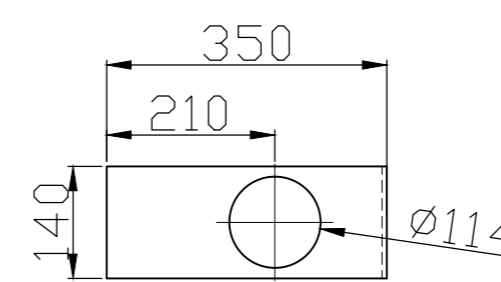
Part D
8pcs
Scale: 4:1



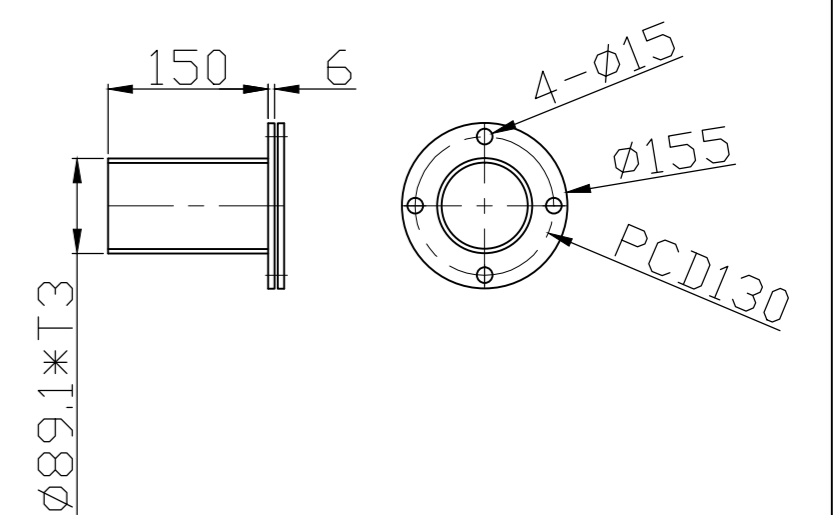
Part E
Scale: 2:1



Part F
Scale: 4:1

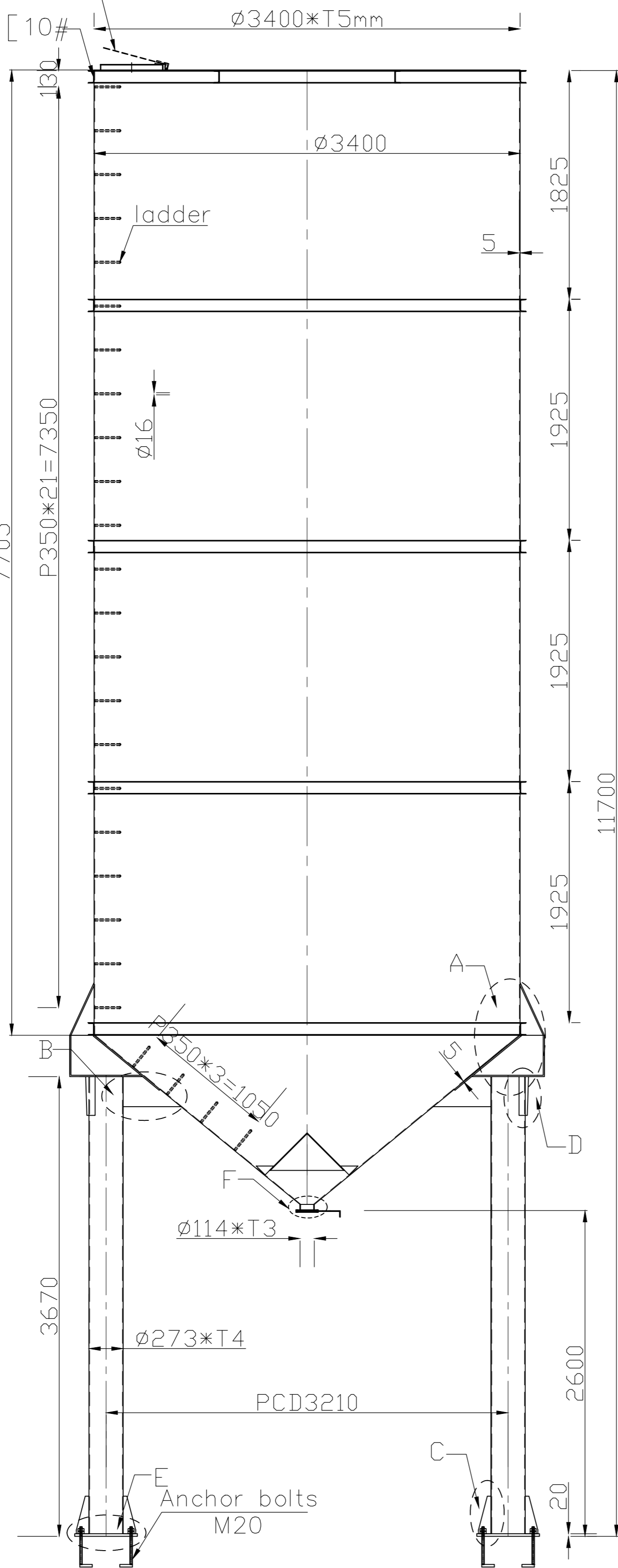


Part G
Scale: 3:1



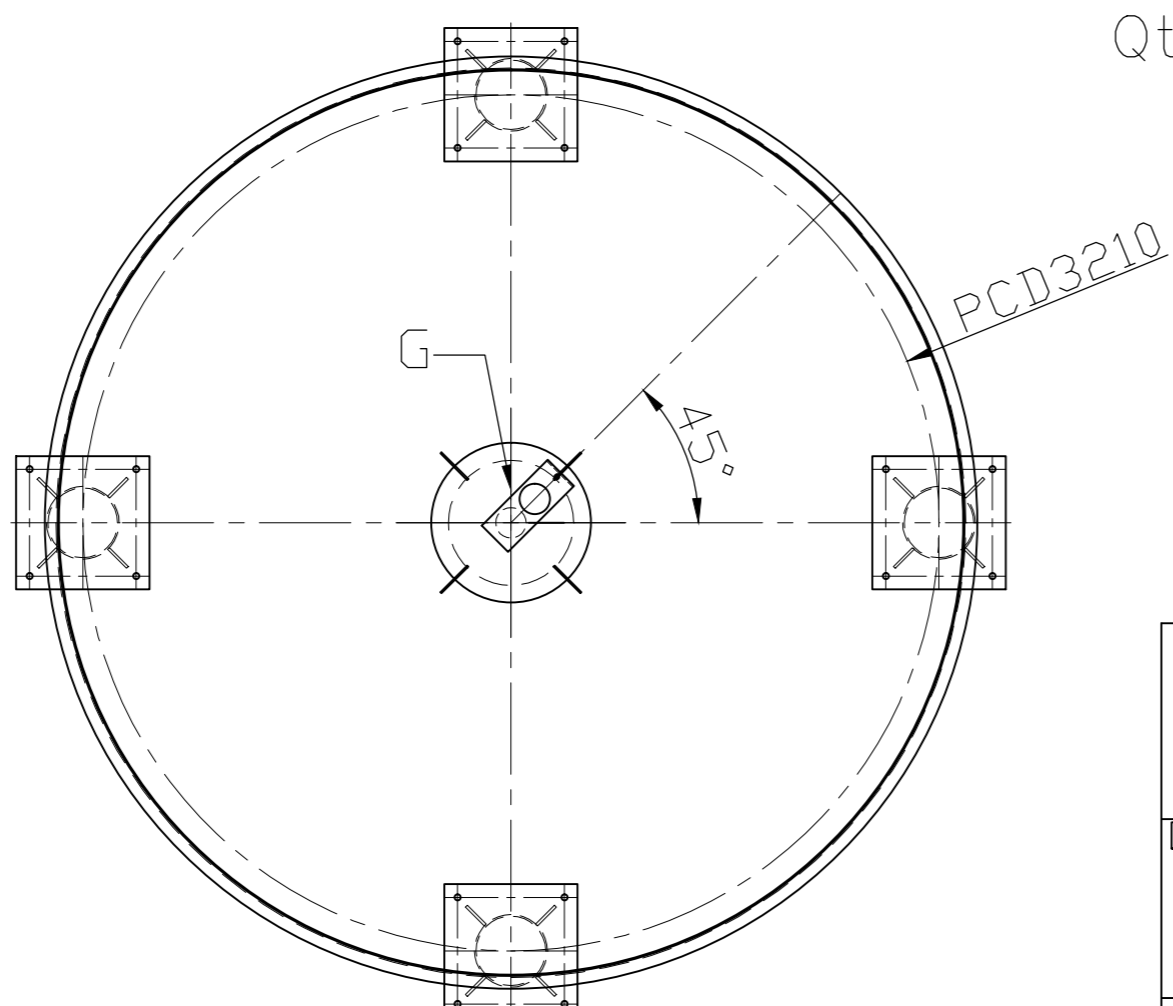
Part H
Scale: 4:1

Manhole cover
人孔盖



Material: SS400

Qty: 2pcs



OWNER	DATE	DRAWN BY	CHECKED BY	EXAMINED BY	SCALE	Q'TY
金莹铸造材料有限公司	13.09.27	钟光艳			1:1	件
CHIN YING FOUNDRY MATERIAL CO.,LTD		DWG NAME		设备名称: Product storage30#		
		DWG NUMBER		部品名称: Assembly diagram		
		图号		0000		