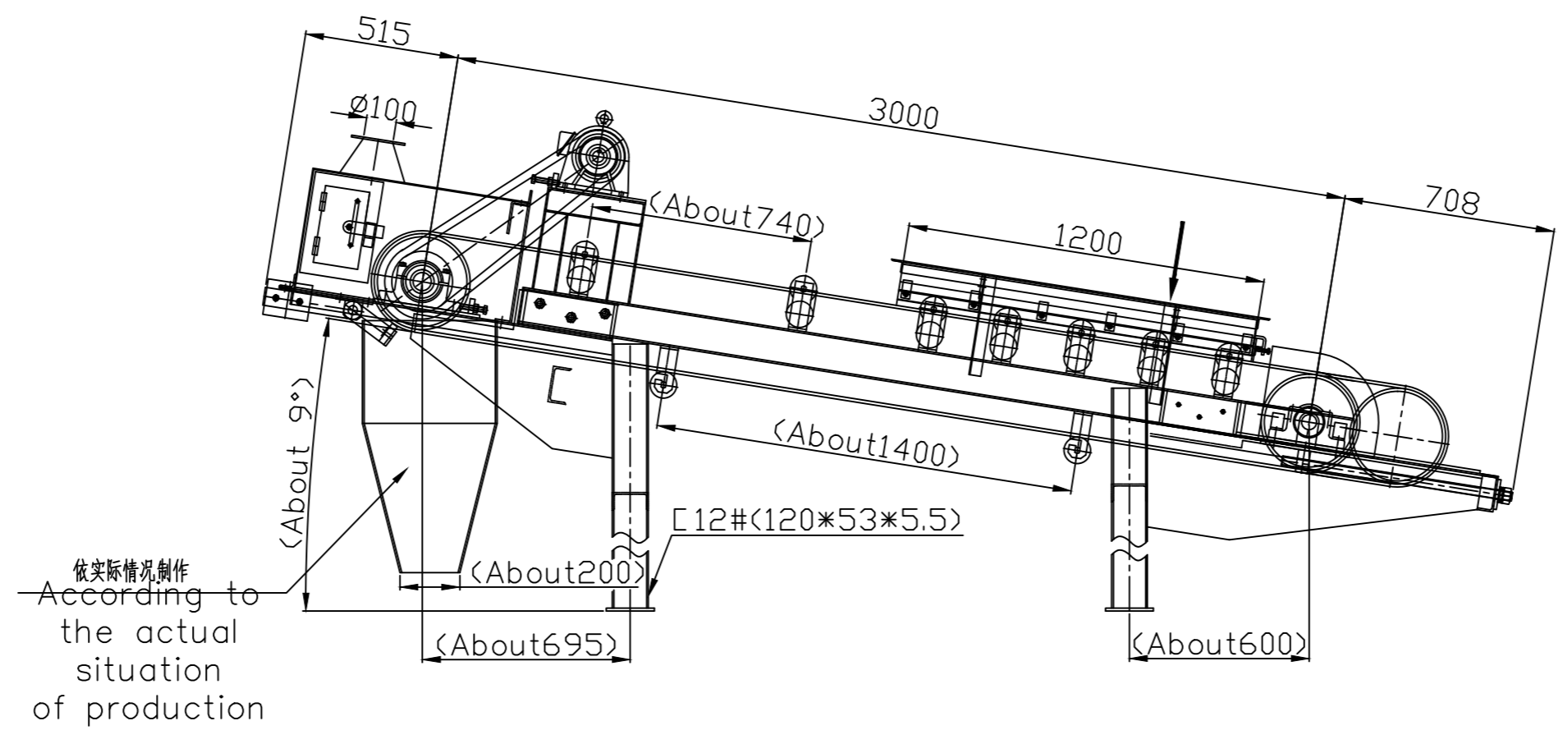
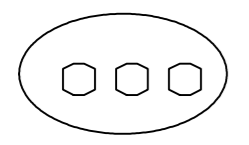
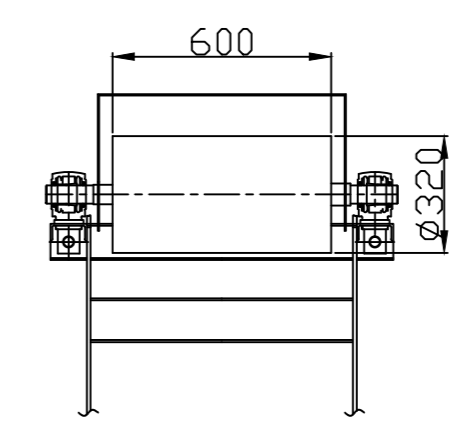
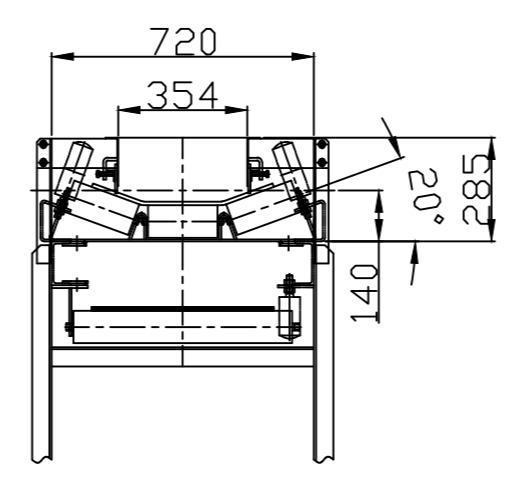
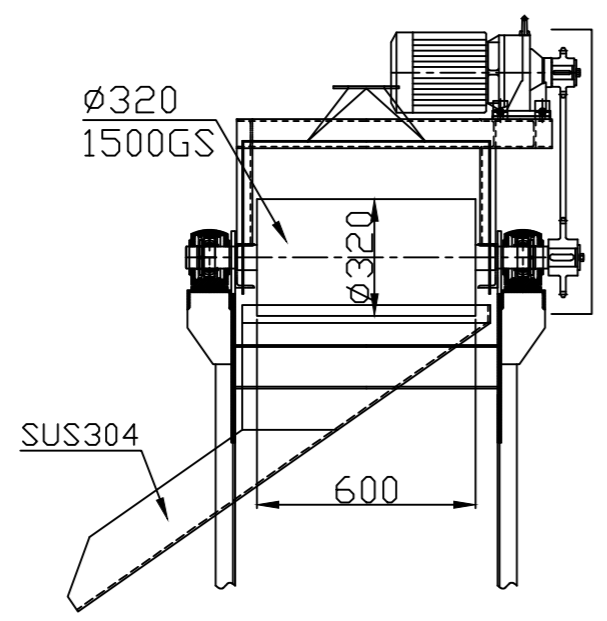


加工品检，有疑必问！



Material: SS400+SUS304



仅供参考

Technical parameters		NO	Name				Length	
Motor reducer brands	SEW	12	Permanent magnetic&quantitative belt conveyor(1500GS)				3M	
Power	0.75kw		frequency converter					
Belt width	500mm	第三角法 OWNER	DATE	DRAWN BY	CHECKED BY	EXAMINED BY	SCALE	Q'TY
Roller Specifications	φ320mm.1500GS		12.10.08	钟光艳			1:1	件
Speed	0.28m/sec	金莹铸造材料有限公司 CHIN YING FOUNDRY MATERIAL CO.,LTD				DWG. NAME 设备名称: Belt conveyor12# 部品名称: Assembly diagram		
Belt Thickness	T6.5mm~					DWG. NUMBER 图号		0000
Material	Rubber							
Heat Temperature	Not more than 80℃							